



INSTRUCTIONS FOR MODULAR BACK PANEL 665MM

MODEL NO: **APMS80BP**

Thank you for purchasing a Sealey product. Manufactured to a high standard, this product will, if used according to these instructions, and properly maintained, give you years of trouble free performance.

IMPORTANT: PLEASE READ THESE INSTRUCTIONS CAREFULLY. NOTE THE SAFE OPERATIONAL REQUIREMENTS, WARNINGS & CAUTIONS. USE THE PRODUCT CORRECTLY AND WITH CARE FOR THE PURPOSE FOR WHICH IT IS INTENDED. FAILURE TO DO SO MAY CAUSE DAMAGE AND/OR PERSONAL INJURY AND WILL INVALIDATE THE WARRANTY. KEEP THESE INSTRUCTIONS SAFE FOR FUTURE USE.



Refer to instruction manual



Wear protective gloves

1. SAFETY

1.1. GENERAL SAFETY

- ✓ Locate the back panel in a suitable working area.
- ✓ Keep the back panel clean and tidy in accordance with good workshop practice.
- ✓ Keep children and unauthorised persons away from the working area.
- ✓ Take care when assembling in case of sharp edges, wear protective gloves.
- ✗ **DO NOT** use the back panel for any purpose other than that for which it is designed.
- ✗ **DO NOT** get the back panel wet or use in damp or wet locations or areas where there is condensation.
- ✗ **DO NOT** clean the back panel with any solvents which may damage the surface.

Note: The mounting of this product to the wall, will require assistance from another person.

2. INTRODUCTION

Modular storage system ideal for any garage or workshop. Can be easily adjusted and upgraded to suit specific needs. Purchase a simple base cabinet or create a custom storage system.

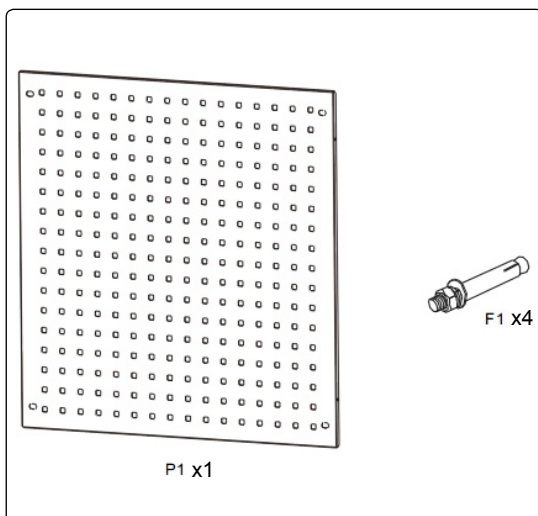
Standard features include:

- Ball bearing drawer slides throughout.
- Base cabinets are supplied with a worktop as standard.
- Floor cabinets feature adjustable shelves.
- Each unit is supplied with a lock and two keys.
- Supplied flat packed and will require some simple assembly.
- Two door floor and wall cabinets feature perforated pegboard panels on the inside of the doors.

3. SPECIFICATION

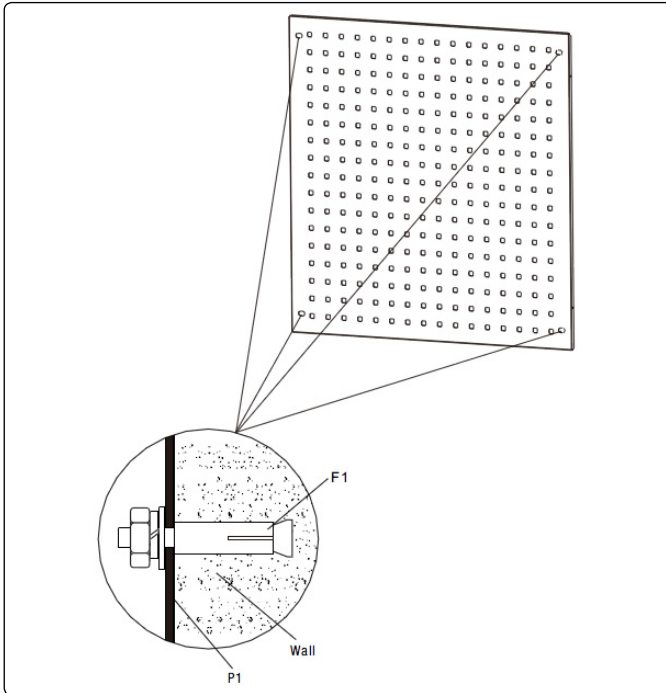
Model no: APMS80BP
W x D x H: 665 x 10 x 685mm

4. CONTENTS



5. ASSEMBLY

- 5.1. Seek assistance from another person to mount back panel on the wall.
- 5.2. Using the back panel as a guide, drill a 12mm hole into the wall.
Note: The fixing holes should be horizontal and the returned edge touches the wall.
- 5.3. Insert the wall fixing, fit the washers and nut and do up. Repeat for the other three fixings. Ensure the back panel is securely fixed to the wall.



ENVIRONMENT PROTECTION

Recycle unwanted materials instead of disposing of them as waste. All tools, accessories and packaging should be sorted, taken to a recycling centre and disposed of in a manner which is compatible with the environment. When the product becomes completely unserviceable and requires disposal, drain any fluids (if applicable) into approved containers and dispose of the product and fluids according to local regulations.

Note: It is our policy to continually improve products and as such we reserve the right to alter data, specifications and component parts without prior notice.

Important: No Liability is accepted for incorrect use of this product.

Warranty: Guarantee is 12 months from purchase date, proof of which is required for any claim.

Sealey Group, Kempson Way, Suffolk Business Park, Bury St Edmunds, Suffolk. IP32 7AR



01284 757500



01284 703534



sales@sealey.co.uk



www.sealey.co.uk